

# ARCHITECTURAL DRAFTING & DESIGN

---

Architectural Woodworking



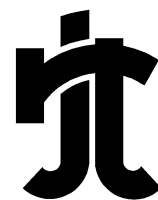
Cabinetry & Furniture



Stairs



Floor Plans



**RJT DESIGNS**

PO Box 541

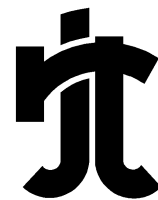
Waterford, CT 06385

P: 860.514.0146 F: 203.286.2171

E: [cadservice@rjtdesigns.com](mailto:cadservice@rjtdesigns.com) W: [www.rjtdesigns.com](http://www.rjtdesigns.com)



This document is the property of RJT DESIGNS.  
No part of this work may be reproduced in any manner whatsoever  
without the prior written permission from RJT DESIGNS.



RJT DESIGNS

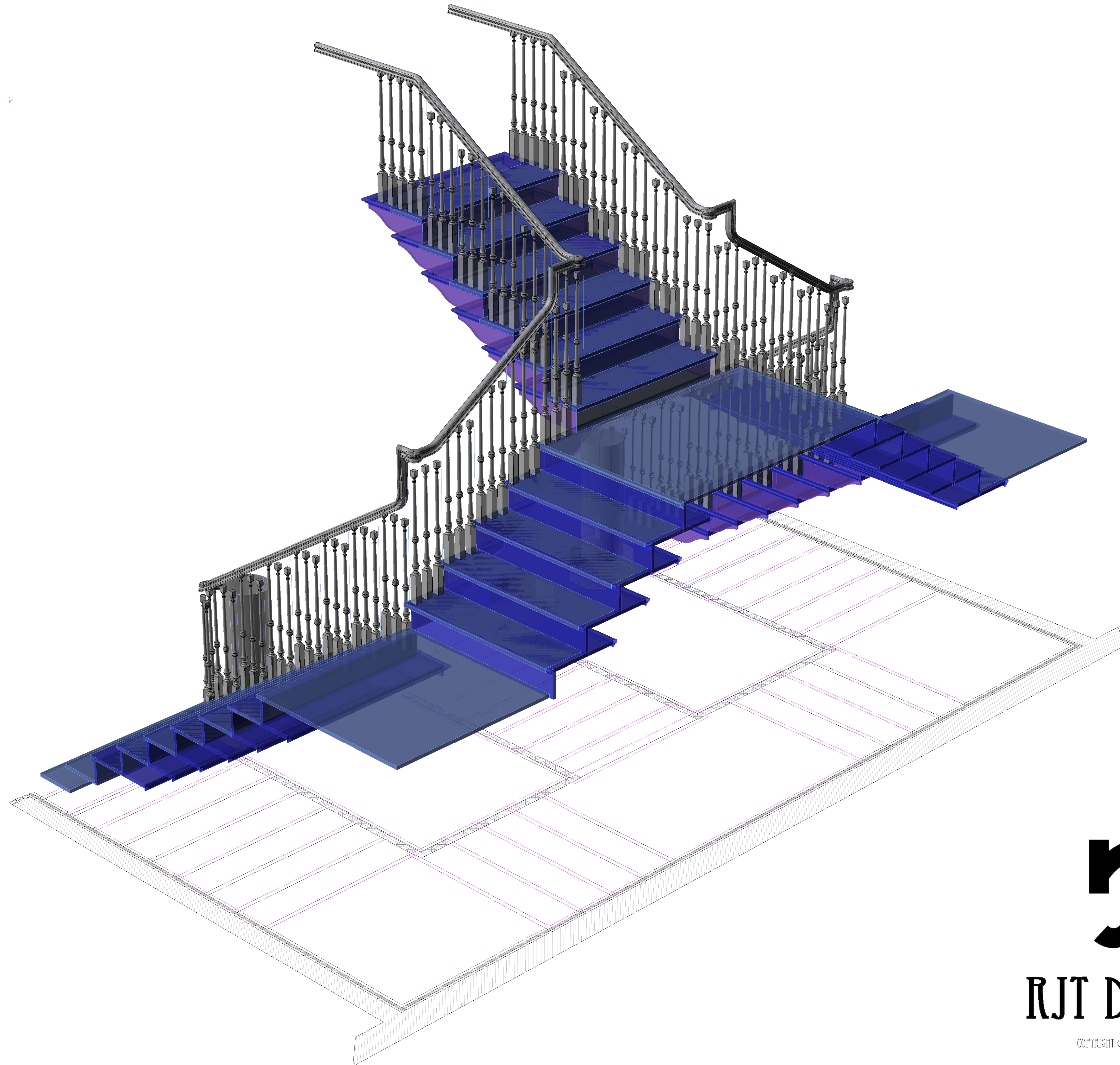
PO Box 541

Waterford, CT 06385

P: 860.514.0146 F: 203.286.2171

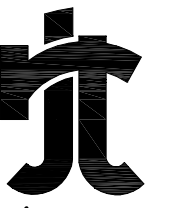
E: [cadservice@rjtdesigns.com](mailto:cadservice@rjtdesigns.com) W: [www.rjtdesigns.com](http://www.rjtdesigns.com)







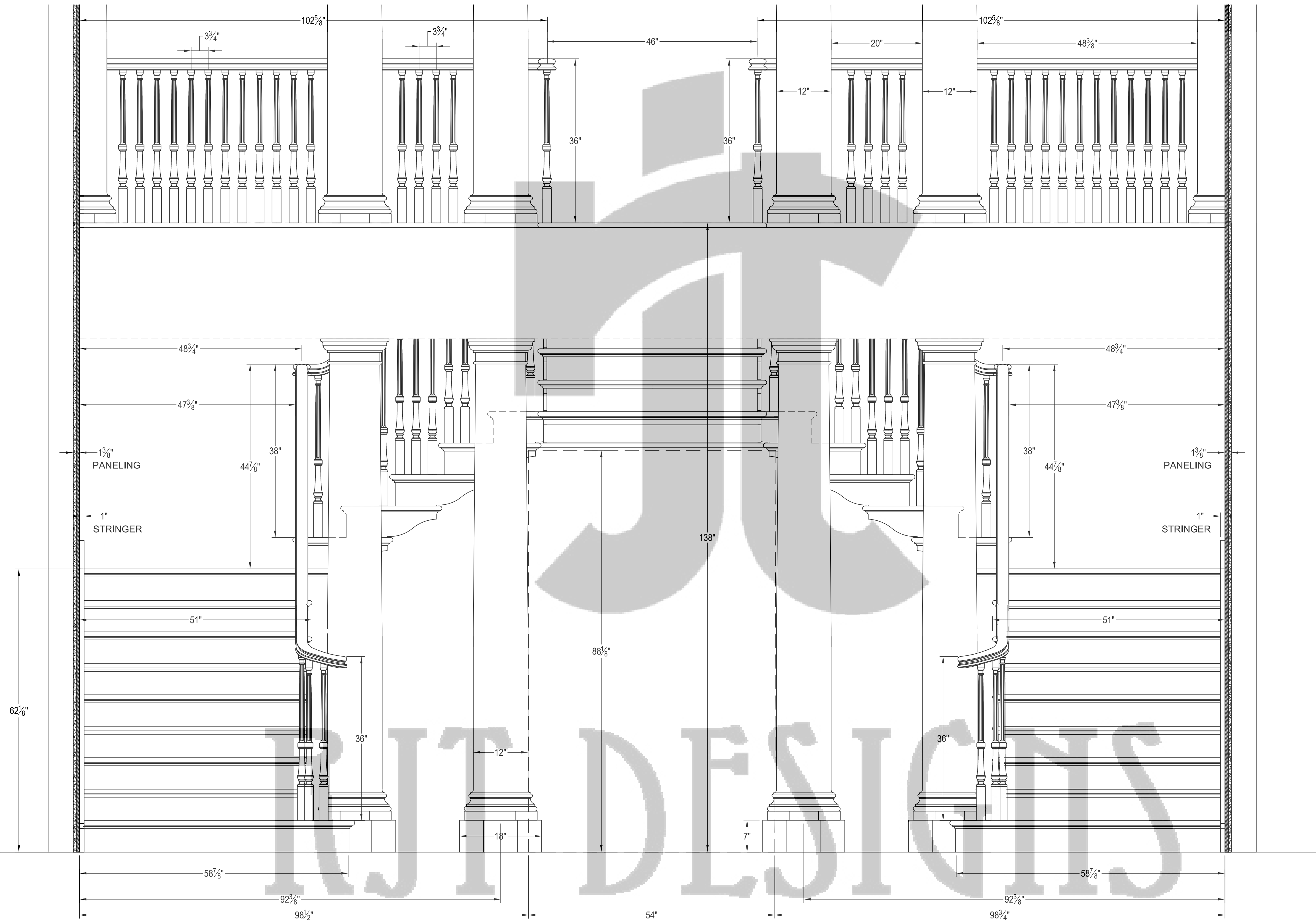




rjt designs

Architectural Drafting & Design

PO BOX 541  
Waterford, CT 06385  
P: 860.514.0146  
F: 203.286.2171

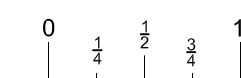


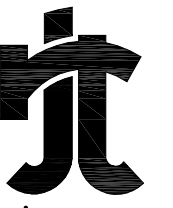
COPYRIGHT © 2010 RJT DESIGNS  
1 ELEVATION - MAIN STAIR  
ST-02 Scale: 1"=1'-0"

MAIN STAIR  
ELEVATIONS

SCALE - AS NOTED  
DRAWN BY: RJT  
DATE - 7/08/08  
REVISED - 8/26/08

ST-02

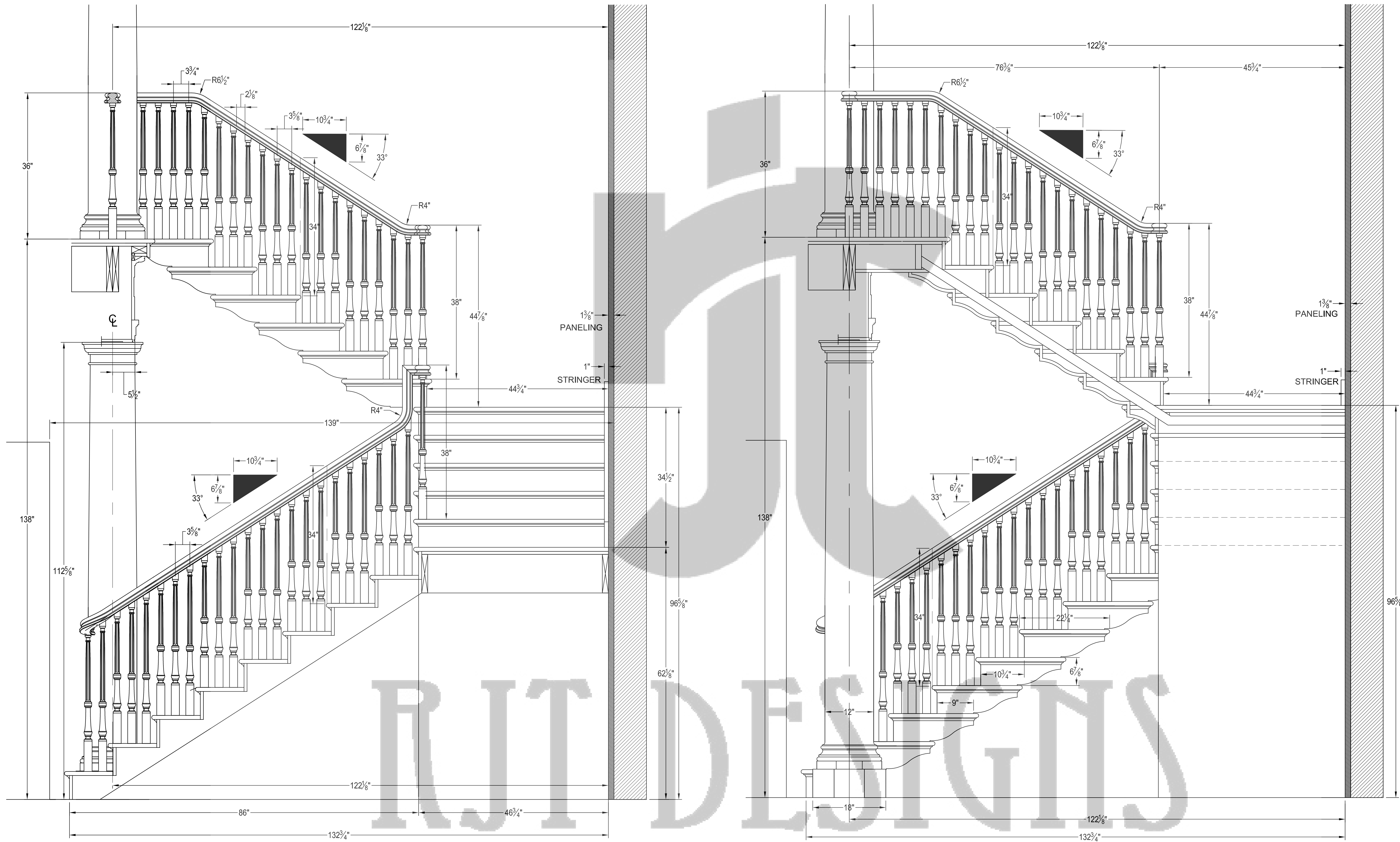




rjt designs

Architectural Drafting & Design

PO BOX 541  
Waterford, CT 06385  
P: 860.514.0146  
F: 203.286.2171



1 SECTION - MAIN STAIR  
ST-03 Scale: 1"=1'-0"

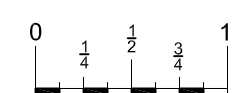
2 SECTION - MAIN STAIR  
ST-03 Scale: 1"=1'-0"

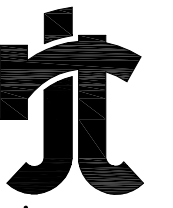
COPYRIGHT © 2010 RJT DESIGNS

MAIN STAIR  
SECTIONS

SCALE - AS NOTED  
DRAWN BY: RJT  
DATE - 7/08/08  
REVISED - 8/26/08

ST-03

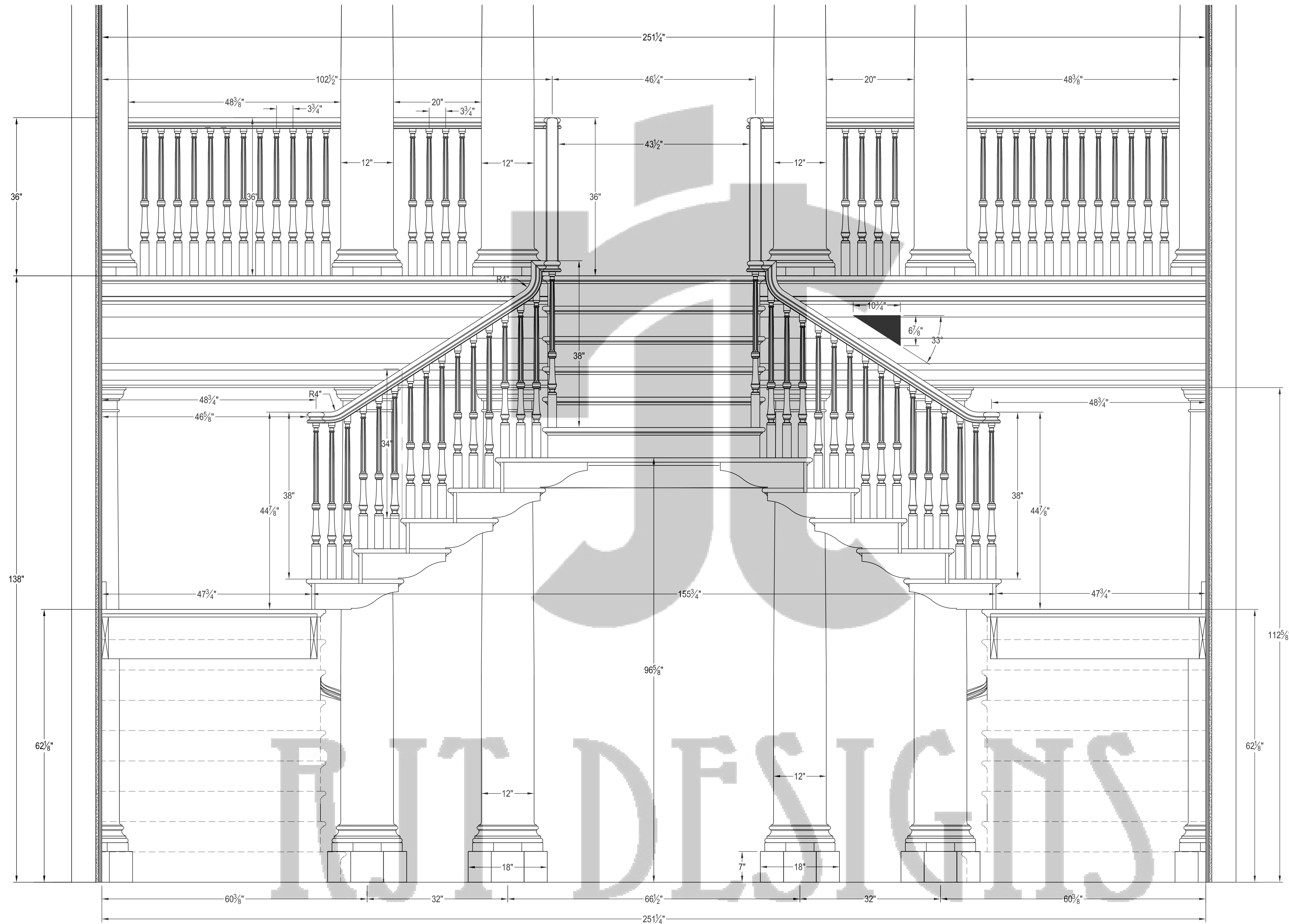




rjt designs

Architectural Drafting & Design

PO BOX 541  
Waterford, CT 06385  
P: 860.514.0146  
F: 203.286.2171

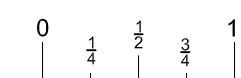


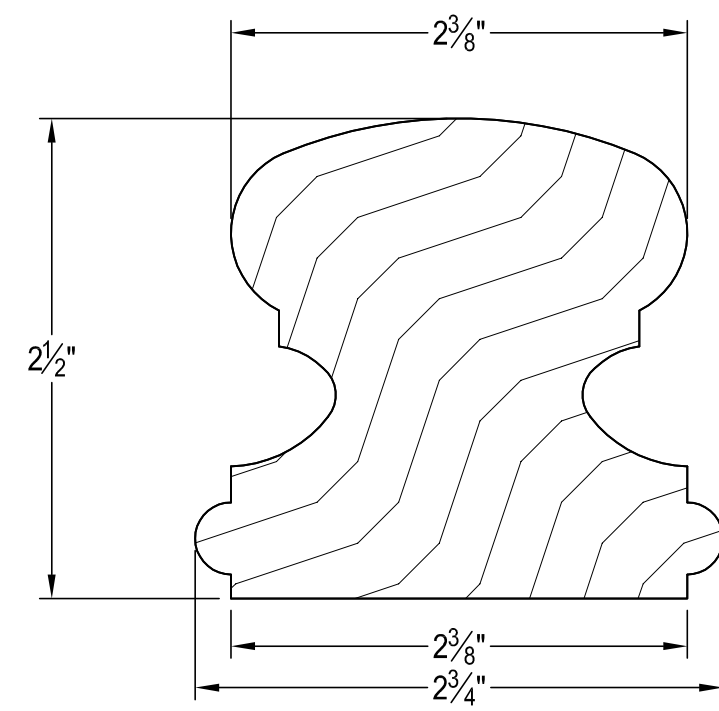
COPYRIGHT © 2010 RJT DESIGNS  
1 SECTION - MAIN STAIR  
ST-04 Scale: 1"=1'-0"

MAIN STAIR  
SECTIONS

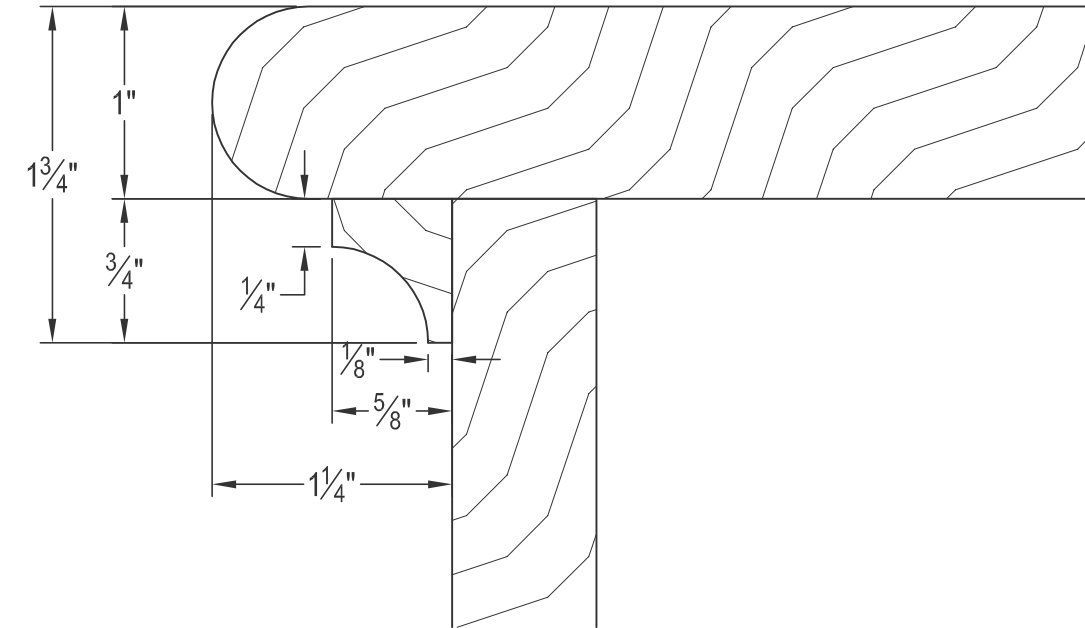
SCALE - AS NOTED  
DRAWN BY: RJT  
DATE - 7/08/08  
REVISED - 8/26/08

ST-04

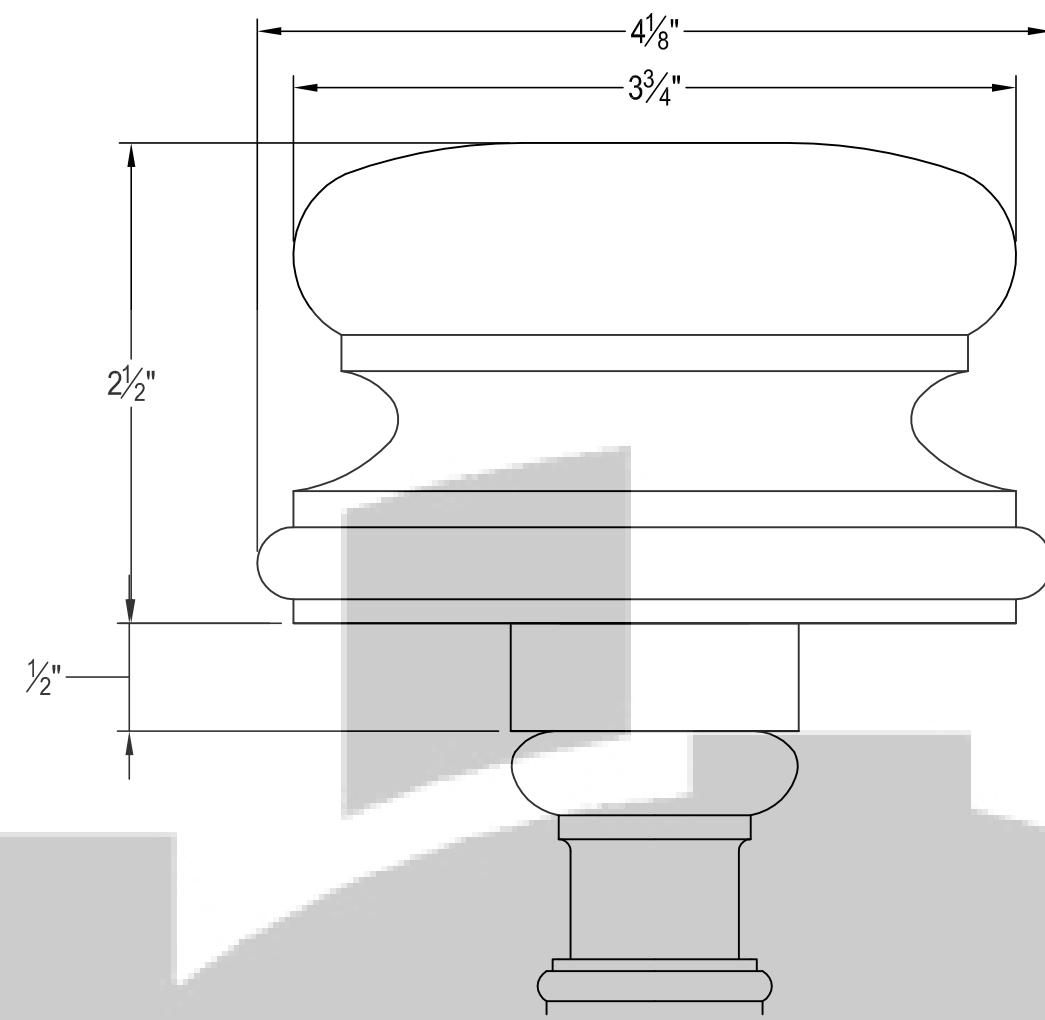




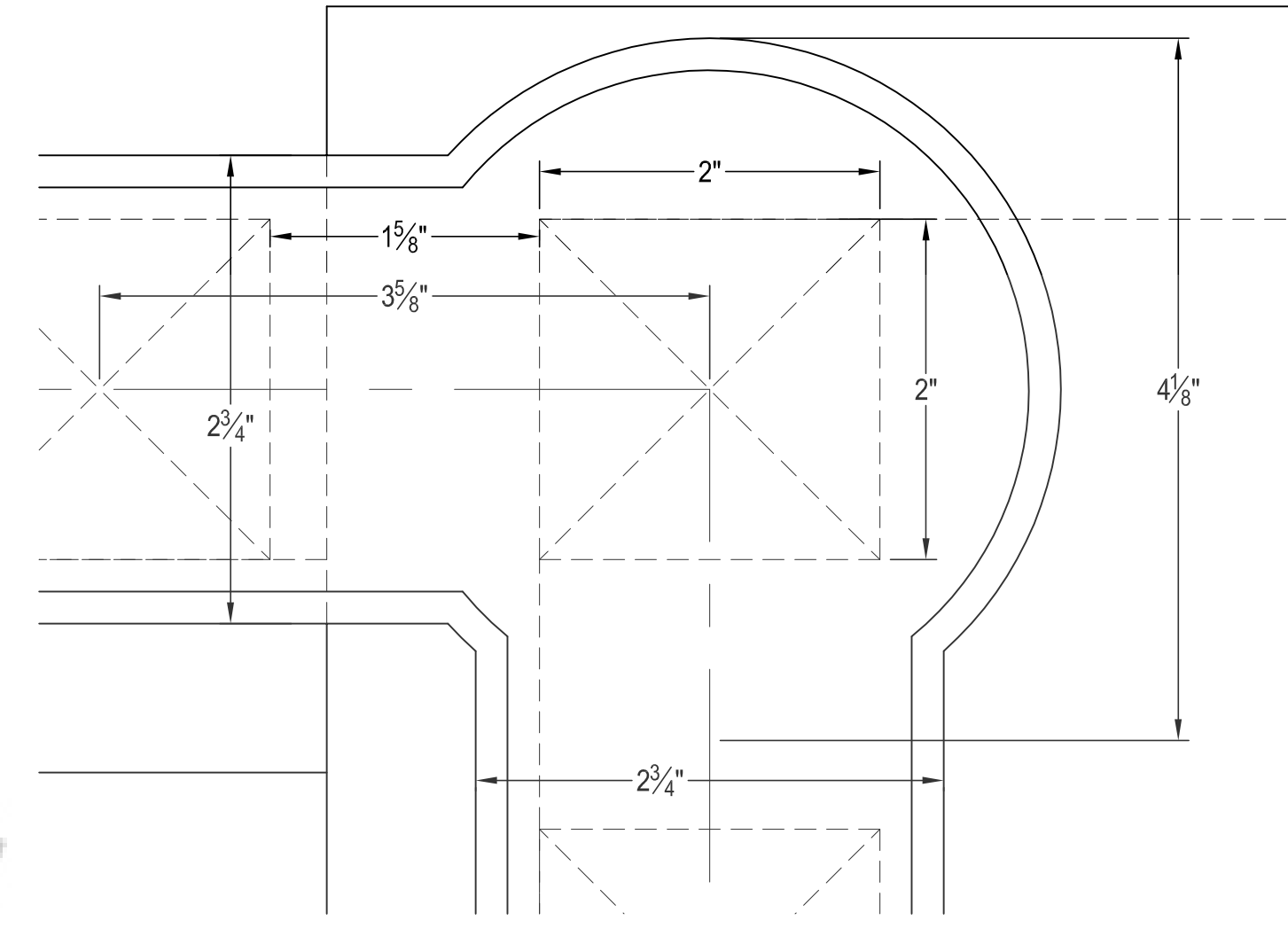
1 DETAIL - HANDRAIL  
ST-04 Scale: FULL



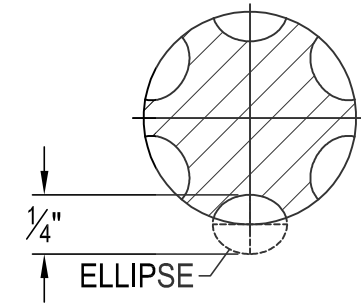
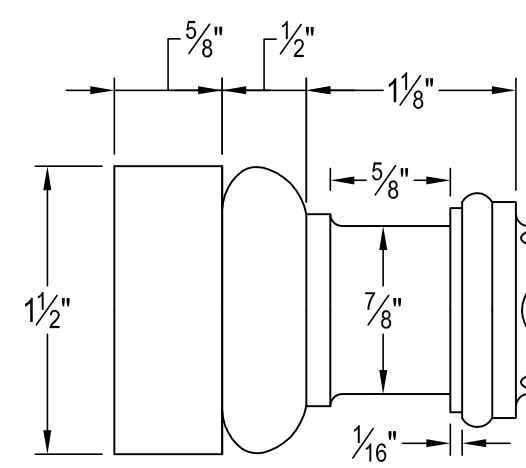
2 DETAIL - NOSING  
ST-04 Scale: FULL



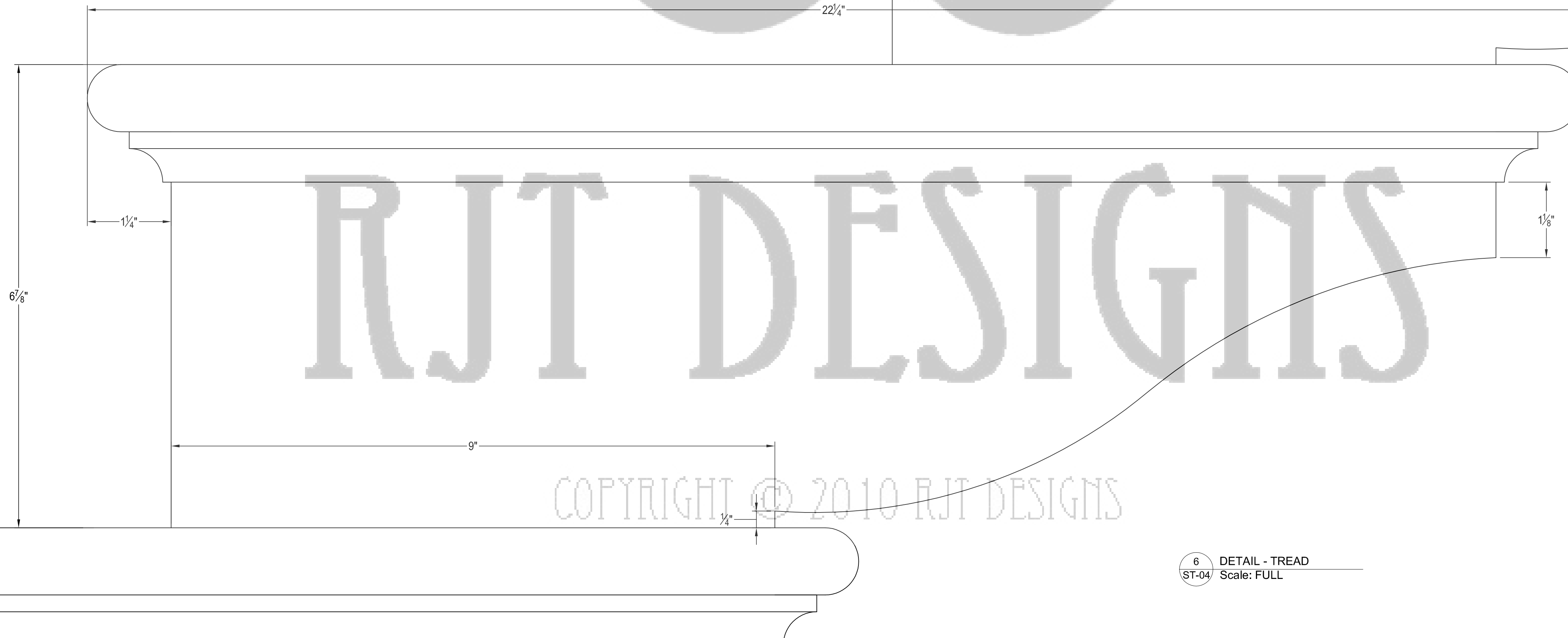
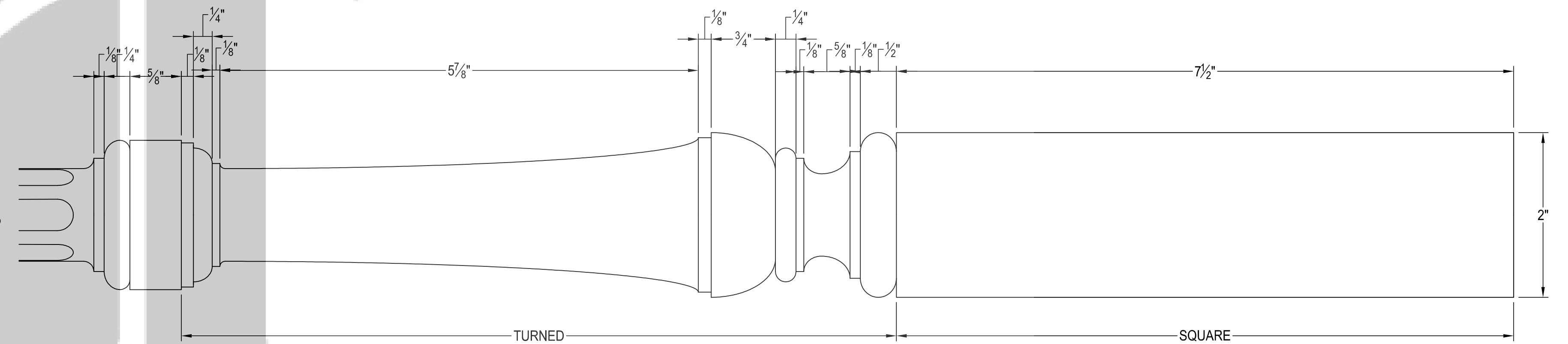
3 DETAIL - HANDRAIL @ CORNERS  
ST-04 Scale: FULL



4 PLAN - HANDRAIL @ CORNERS  
ST-04 Scale: FULL



5 DETAIL - BALUSTER  
ST-04 Scale: FULL



6 DETAIL - TREAD  
ST-04 Scale: FULL

RJT DESIGNS

COPYRIGHT © 2010 RJT DESIGNS

MAIN STAIR  
DETAILS

SCALE - AS NOTED  
DRAWN BY: RJT  
DATE - 7/08/08  
REVISED - 8/26/08

ST-05

